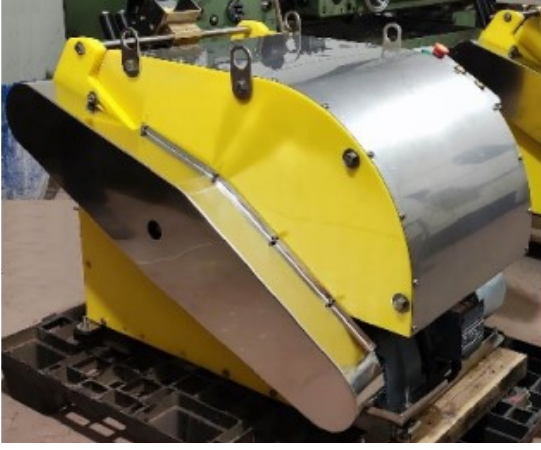
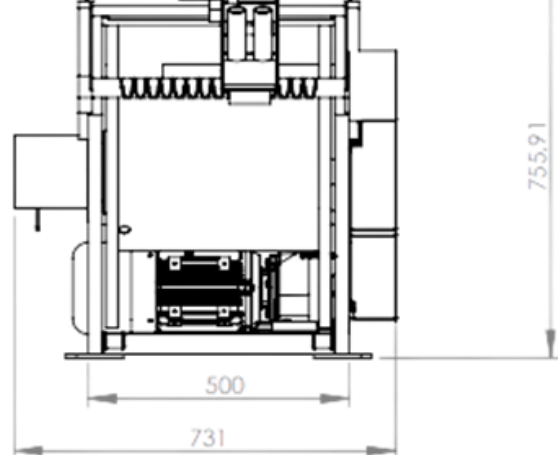
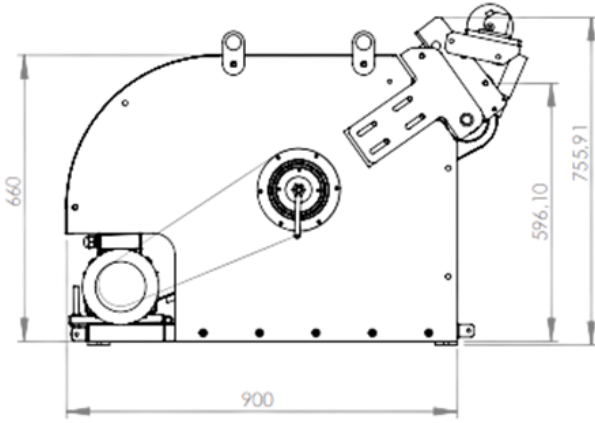


KD300 SIDE SCAN SONAR CRANE SYSTEM



Features of KD300 Side Scan Sonar Crane System

Voltage	220 V 50 Hz
Power	1.5 kW
Insulator	IP67
Empty Weight	105 kg
Date of Manufacture	December 2021
Rope Capacity	12 mm - 330 m (maksimum 380 m)
Towing Capacity	350 kg
Wrapping Speed	0.2 m/s - 1 m/s



General Material and Parts List

Part Name	Definition	Number
Engine & Gearbox	Yılmaz Red. - MR172 3E90L4D 1.5 kW 79 RPM	1
Drive Engine	Delta VFD015EL21A 1.5 kW	1
Slip Ring	Alpha Slip Ring 343-004-105	1
Mechanical Counter	Linpotek TNP-3	1
Bearing - Belt - Pulley		
Reducer Pulley	T32-T10T32F	1
Drive Main Pulley - Bearing	T60-T10-32F-6008RS Inox	1+1
Drive Guide Pulley	T16-T10-16F	1
Guide Shaft Pulley - Bearing	T32-T10-16F-6004 Inox	1+2
Slipring Bearing	6021 Inox	1
Drive Belt	T10 1360 mm - 32 mm	1
Guide Belt	T10 1080 mm - 16 mm	1
Cable Roller Bearings	6000RS Inox	12